



# LADDER ROOF RACK CLAMPS

MODEL NO: **SLC2**

Thank you for purchasing a Sealey product. Manufactured to a high standard, this product will, if used according to these instructions, and properly maintained, give you years of trouble free performance.

**IMPORTANT:** PLEASE READ THESE INSTRUCTIONS CAREFULLY. NOTE THE SAFE OPERATIONAL REQUIREMENTS, WARNINGS & CAUTIONS. USE THE PRODUCT CORRECTLY AND WITH CARE FOR THE PURPOSE FOR WHICH IT IS INTENDED. FAILURE TO DO SO MAY CAUSE DAMAGE AND/OR PERSONAL INJURY AND WILL INVALIDATE THE WARRANTY. KEEP THESE INSTRUCTIONS SAFE FOR FUTURE USE.



Refer to instructions

## 1. SAFETY

- WARNING!** Due to the variety in the design of vehicles and roof bars/racks, it is the users responsibility to ensure that the ladder rack clamps are fitted and attached correctly.
- DO NOT** use the ladder rack clamps if any parts are damaged or missing, as this may cause failure and/or possible personal injury.
- Maintain the ladder rack clamps in good condition.
- Replace or repair damaged parts. Use genuine parts only. Unauthorised parts may be dangerous and will invalidate the warranty.
- Familiarise yourself with the applications and limitations of the ladder rack clamps, as well as all potential hazards.
- DO NOT** use the ladder rack clamps for any purpose other than that for which it is designed.
- Always use the ladder rack clamps in pairs. One at the front and one at the rear.
- During use frequently check that the ladder rack clamps and ladder are secure.
- DO NOT** over tighten the ladder rack clamps. This may cause damage to the roof bar/rack or the clamps.
- Use only to clamp ladders.
- WARNING!** Remove any loose objects from the ladder prior to clamping to the roof bar/rack.
- WARNING!** Ensure that neither the ladder rack clamps or the ladder project beyond the maximum profile of the vehicle.
- WARNING!** When a ladder is clamped to the roof bars/rack, the characteristics of the vehicle will change. Driving techniques should be altered to allow for this. Reduce speeds and allow longer braking distances.
- Check that the ladder is secure and stable prior to transit.
- WARNING!** The security and safety of the load carried is the responsibility of the vehicle driver.
- WARNING!** The warnings, cautions and instructions in this manual cannot cover all possible conditions and situations that may occur. It must be understood by the operator that common sense and caution are factors which cannot be built into this product, but must be applied by the operator.

## 2. INTRODUCTION

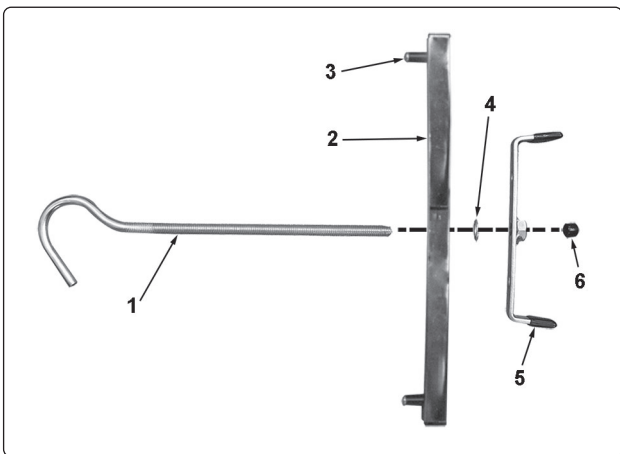
Universal fitment for roof racks providing a safe and easy way to secure ladders. Yellow phosphate finish for added corrosion resistance. Suitable for trades where ladders need to be transported safely for on site applications. Supplied with two heavy-duty iron padlocks for security. Made in the UK.

## 3. SPECIFICATION

Model No: ..... SLC2  
Maximum width: ..... 365mm

## 4. CONTENTS

ITEM	DESCRIPTION	QTY
1	Roof bar hooks	1
2	Clamp bar	1
3	Ladder stop	2
4	Washer	1
5	Lock bar	1
6	Thread protector	1
7	Padlock (not shown)	1



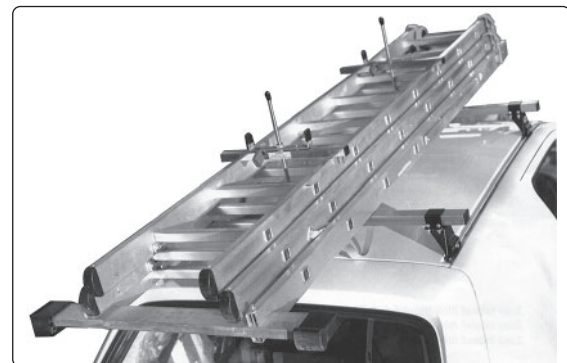
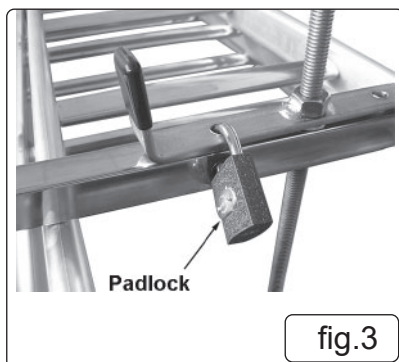
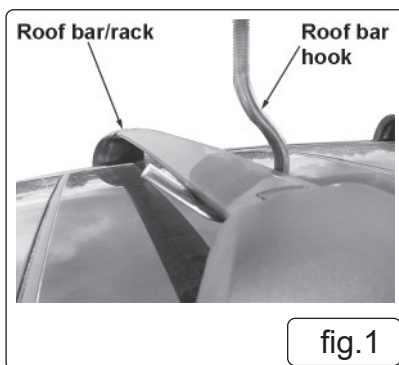
## 5. ASSEMBLY

### 5.1. CLAMP ASSEMBLY

- 5.1.1. Remove the thread protector (#6) from the roof hook bar (#1).
- 5.1.2. Place the clamp bar (#2), pre-fitted with ladder stops (#3), over the roof bar hook.
- 5.1.3. Fit the washer (#4) over the roof bar hook and onto the ladder stop.
- 5.1.4. Thread the lock bar (#5) onto the roof bar hook.
- 5.1.5. Replace the thread protector.

## 6. SECURING LADDER TO RACK

- 6.1. Inspect the roof bars/rack to ensure they are fitted and assembled correctly to the manufactures instructions and are in a safe, usable condition.
- 6.2. Load the ladder onto the roof bars/rack. Seek the assistance of another person for heavier or longer ladders.
- 6.3. Position the ladder on the roof bars/rack evenly ensuring that there is not excessive overhang.
- 6.4. If a long ladder is carried it should be secured to the front and rear of the vehicle. Any rear overhang should have a visible warning indicator.
- 6.5. Pass the roof bar hook through the ladder and under one of the roof rack bars (fig 1).
- 6.6. Screw down the lock bar onto the clamp bar (fig 2).
  - x **DO NOT** over tighten.
- NOTE:** Ensure that the ladder is located between the ladder stops.
- 6.7. When the ladder is secure pass the padlock through the lock down bar and the clamp bar locking them in place (fig 3).



## 7. MAINTENANCE

- 7.1. Periodically grease the hook bar thread.

Parts support is available for this product. To obtain a parts listing and/or diagram, please log on to [www.sealey.co.uk](http://www.sealey.co.uk), email [sales@sealey.co.uk](mailto:sales@sealey.co.uk) or telephone 01284 757500



### ENVIRONMENT PROTECTION

Recycle unwanted materials instead of disposing of them as waste. All tools, accessories and packaging should be sorted, taken to a recycling centre and disposed of in a manner which is compatible with the environment. When the product becomes completely unserviceable and requires disposal, drain any fluids (if applicable) into approved containers and dispose of the product and fluids according to local regulations.

**Note:** It is our policy to continually improve products and as such we reserve the right to alter data, specifications and component parts without prior notice.

**Important:** No Liability is accepted for incorrect use of this product.

**Warranty:** Guarantee is 12 months from purchase date, proof of which is required for any claim.

Sealey Group, Kempson Way, Suffolk Business Park, Bury St Edmunds, Suffolk. IP32 7AR



01284 757500



01284 703534



[sales@sealey.co.uk](mailto:sales@sealey.co.uk)



[www.sealey.co.uk](http://www.sealey.co.uk)